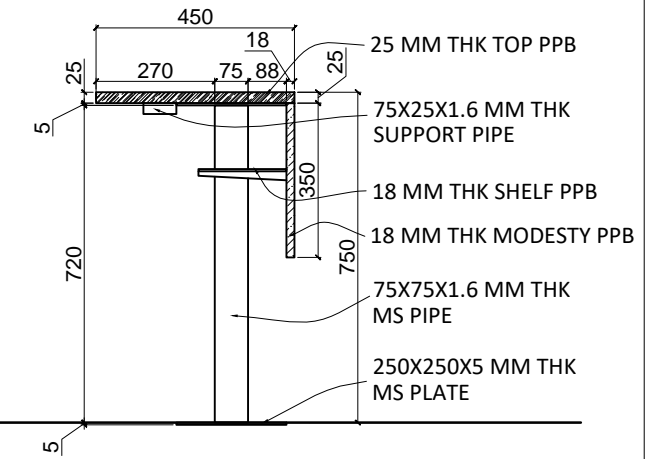
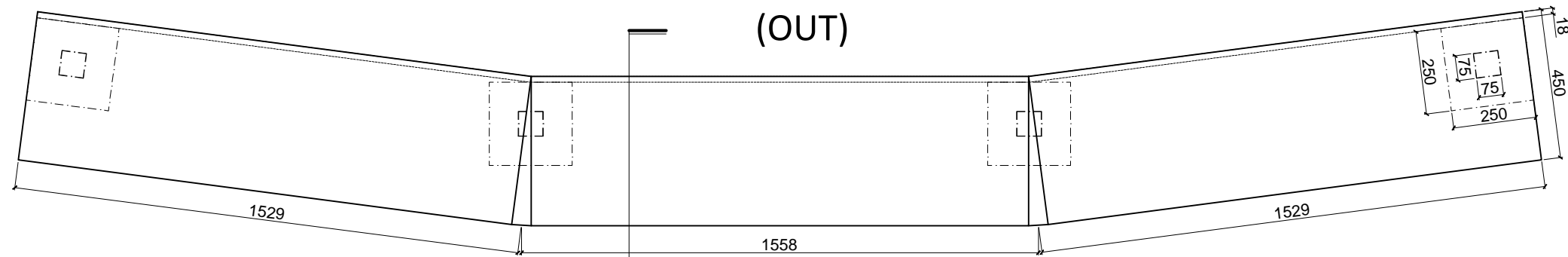


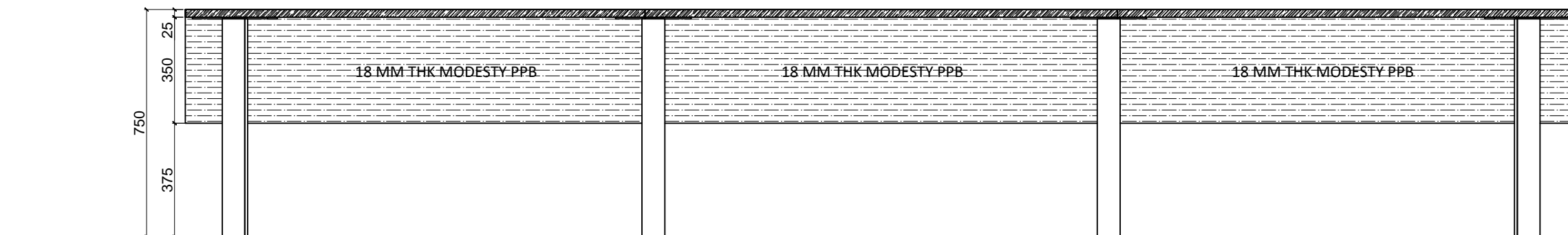
OUTSIDE ELEVATION



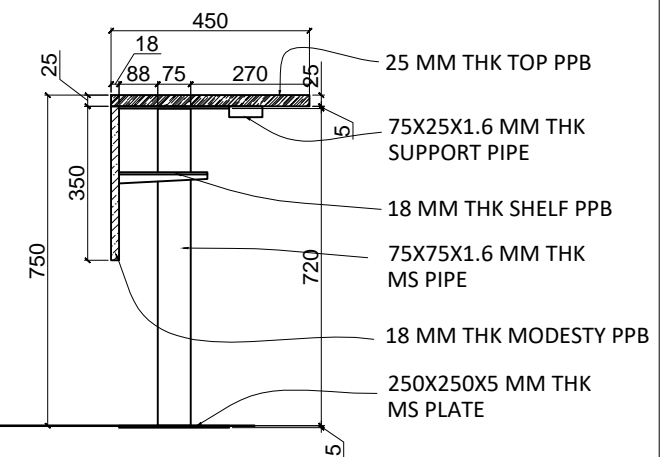
SECTION



PLAN  
(IN)



INSIDE ELEVATION



SECTION